

Development Unit Type 5000 Black/Color

(Code: G781/782)

For Machine Code: G071

MAINTENANCE GUIDE

Preparation

For a safe operation, read "Safety Information" in Maintenance Guide 1.

WARNING:

- **Do not incinerate spilled toner or used toner. Toner dust is flammable and might ignite when exposed to an open flame. Disposal should take place at an authorized dealer or an appropriate collection site. If you dispose of the used toner containers yourself, dispose of them according to local regulations.**

CAUTION:

- *Keep toner (used or unused) and the toner cartridge out of reach of children.*
- *Do not put an object on the left cover when it is open.*

Replace the development unit of the indicated color when the following message appears on the panel display.

The toner cartridge of the indicated color is also time to replace.

Reference

For information about printable number of pages, see Maintenance Guide 1.

Replace
Development Unit

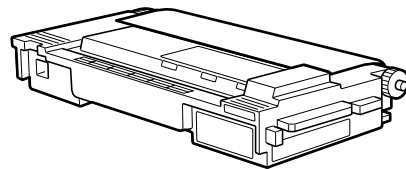
XXX/XXX

Note

- The messages above will be displayed one after another.
- For XXX, up to four colors will be displayed.

Check the contents of the box for the following items:

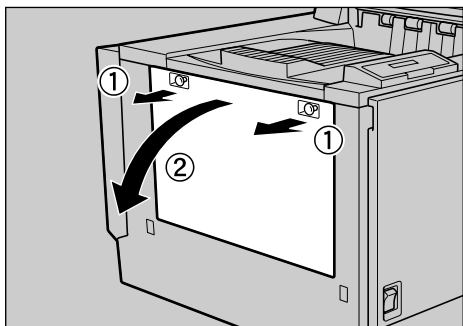
Development Unit



Maintenance Guide (This manual)

1 Turn off the printer power.

2 Open the left cover of the printer by pulling the fasteners (① → ②).

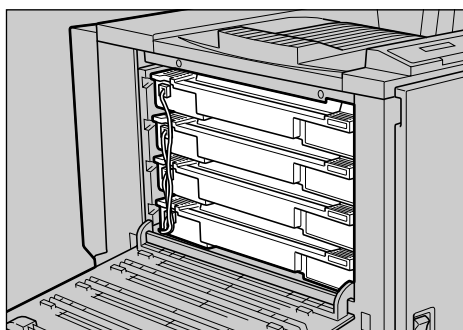


ZESH409J

Note

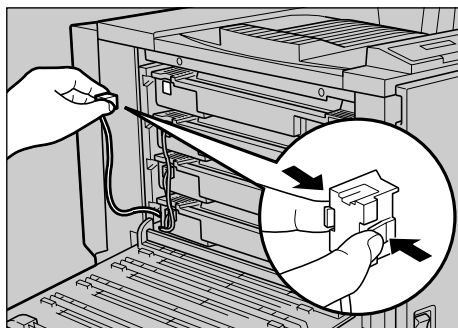
- ❑ The two round fasteners cannot be detached.

From the top, the development units are installed in the order of black, yellow, cyan, and magenta.



ZESH403J

3 Detach the connectors from the development units from the top to the bottom by pressing the sides of the connectors.

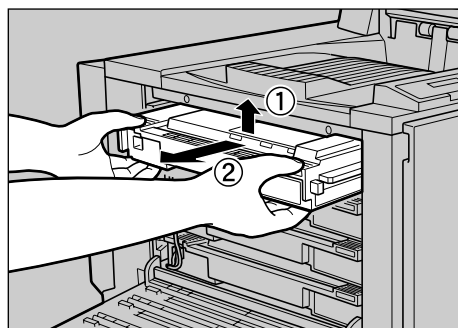


ZESH410J

Note

- ❑ When replacing only the black development unit, detach the top connector only. The other connectors do not have to be detached.

4 Remove the development unit of desired color by lifting it first as shown in the illustration (① → ②).



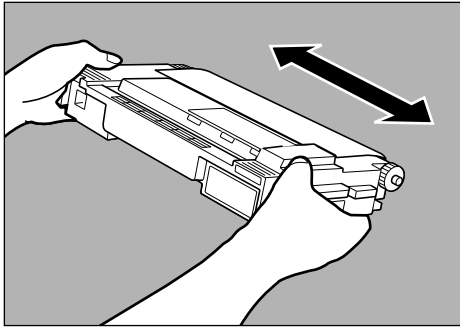
ZESH411J

The illustration shows how to remove the black development unit. The procedure is the same for all four colors.

Important

- ❑ Be sure to hold the unit with both hands, and then pull it slowly.

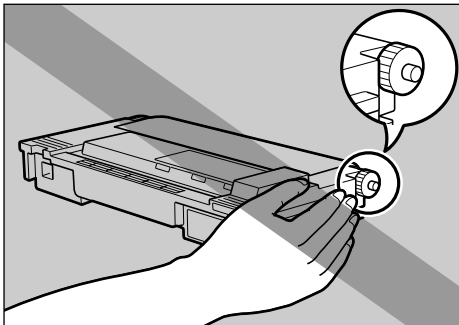
- 5** Hold the development unit, and then shake it about 10 times.



ZESH414J

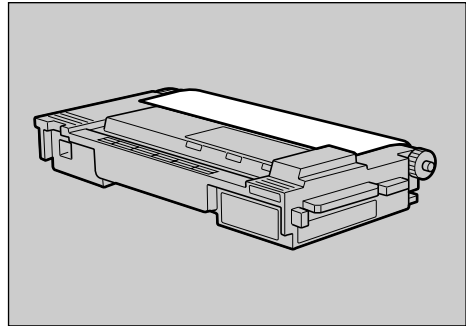
⚠ Important

- Hold the unit with the roller facing down.
- Do not add shocks to the unit.
- If you do not shake the unit well, it may take longer for the initial adjustments when turned on.
- Do not touch the roller or the gears shown in the illustration.



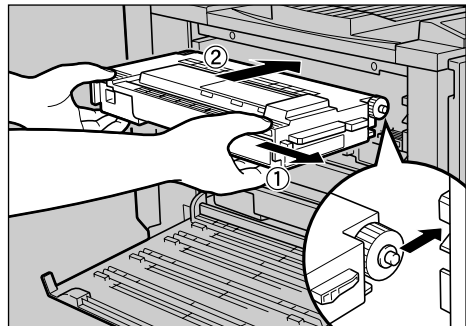
ZESH668J

- 6** Remove the covering paper.



ZESH665J

- 7** Set the new development unit by aligning the guides, pushing towards direction (1), and then inserting slowly until it stops (2).



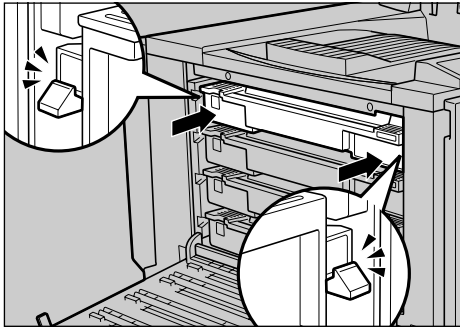
ZESH412J

The illustration shows how to install the black development unit. The procedure is the same for all four colors.

📌 Note

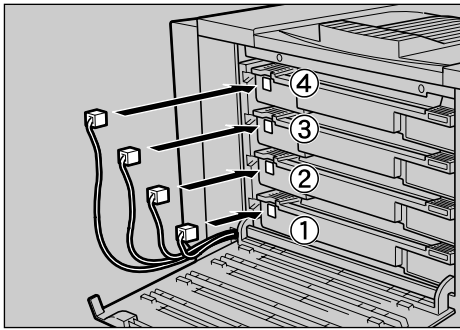
- When installing the development unit, it may come out a little. This is not a malfunction.

- 8** Confirm the label for the color, and then confirm that the unit is securely fit in the stoppers.



When there is a white line showing at the stoppers, reinsert the unit by following step **7**.

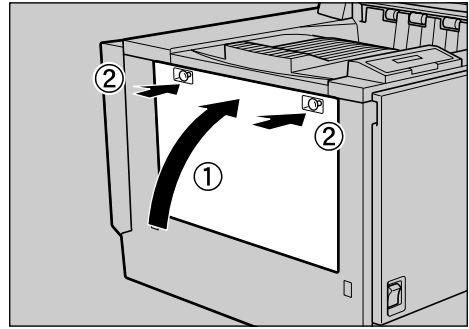
- 9** Insert the connectors to the development units from the bottom (①) to the top (④) until they click into place.



Important

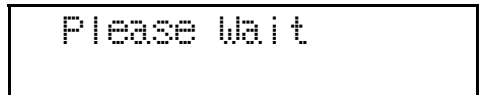
- ❑ Be sure that all four connectors are connected to the development units. Turning on the power without all four connectors connected to the units may cause a printer malfunction.

- 10** Close the left cover of the printer by pushing the fasteners (②) while holding the cover (①).



- 11** Turn on the power switch.

"Please Wait" appears on the panel display, and then initial adjustments begin. Please wait until it stops.



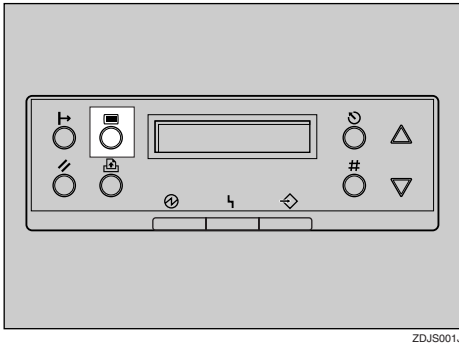
Important

- ❑ Do not turn off the power switch when adjustments are being made to avoid a printer malfunction.

Printing the Test Page

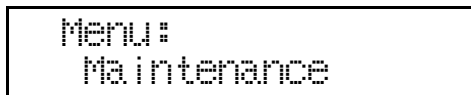
1 Press [Menu].

Print the sheet for checking the color condition to confirm the development units are properly installed.



"Menu" appears on the panel display.

2 Press [▲] or [▼] to show "Maintenance" on the panel display, and then press [Enter #].

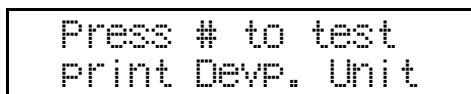


"Maintenance" appears on the panel display.

3 Press [▲] or [▼] to show "Devp.Unit Check" on the panel display, and then press [Enter #].

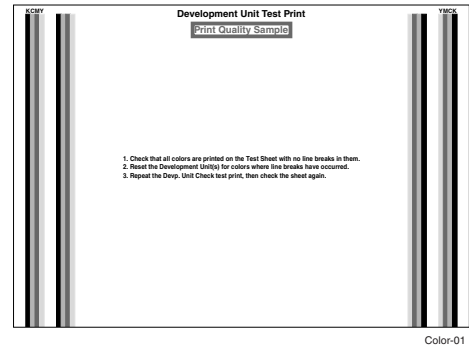


The message appears on the panel display.



4 Press [Enter #].

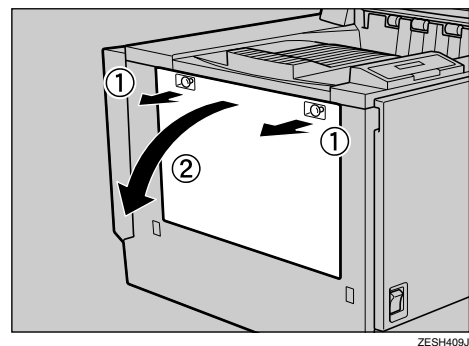
Print out the sheet for checking the color condition.



5 Use the sheet to check the print quality of each color.

If the printed sheet has no broken or blurred colors, the development units are installed properly. If this is not the case, reset the Development Unit(s) by the following procedure.

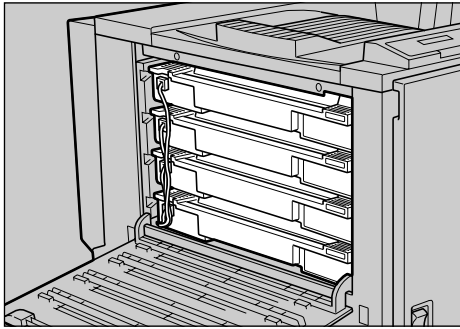
6 Open the left cover of the printer by pulling the fasteners (1) → (2).



Note

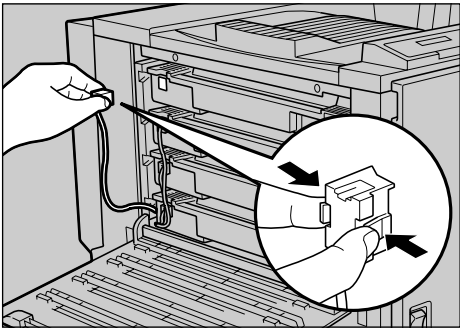
- ❑ The two round fasteners cannot be detached.

From the top, the development units are installed in the order of black, yellow, cyan, and magenta.



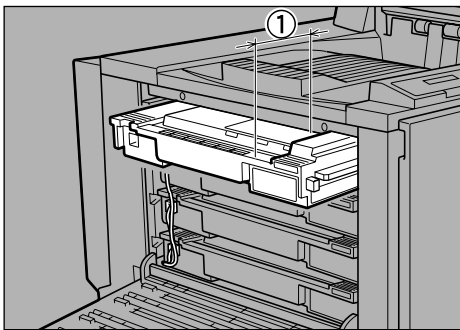
ZESH403J

- 7** Detach the connectors from the development units from the top to the bottom by pressing the sides of the connectors.



ZESH410J

- 8** Pull out the development unit partially (approximately 30 mm **①**) by lifting it first as shown in the illustration.



ZESTE050E

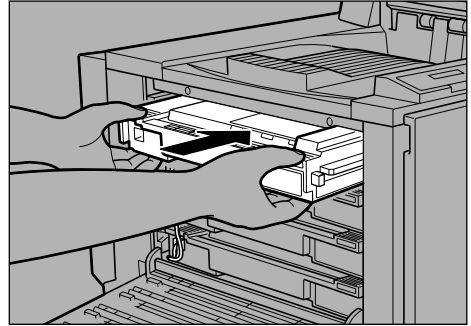
The illustration shows how to pull out the black development unit.

The procedure is the same for all four colors.

Important

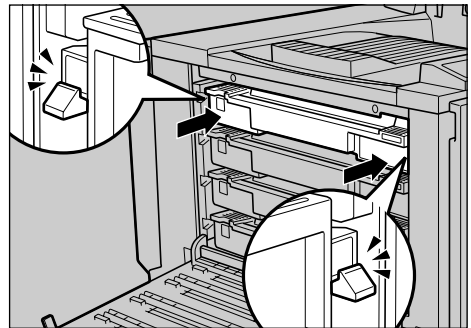
- ❑ Be sure to hold the unit with both hands, and then pull it slowly.

- 9** Push the development unit slowly until it stops.



ZESTE060E

- 10** Confirm the label for the color, and then confirm that the unit is securely fit in the stoppers.



ZESH650J

When there is a white line showing at the stoppers, reinsert the units.

- 11** Repeat steps **1** to **4** to print the sheet for checking the color again and re-check the print quality.